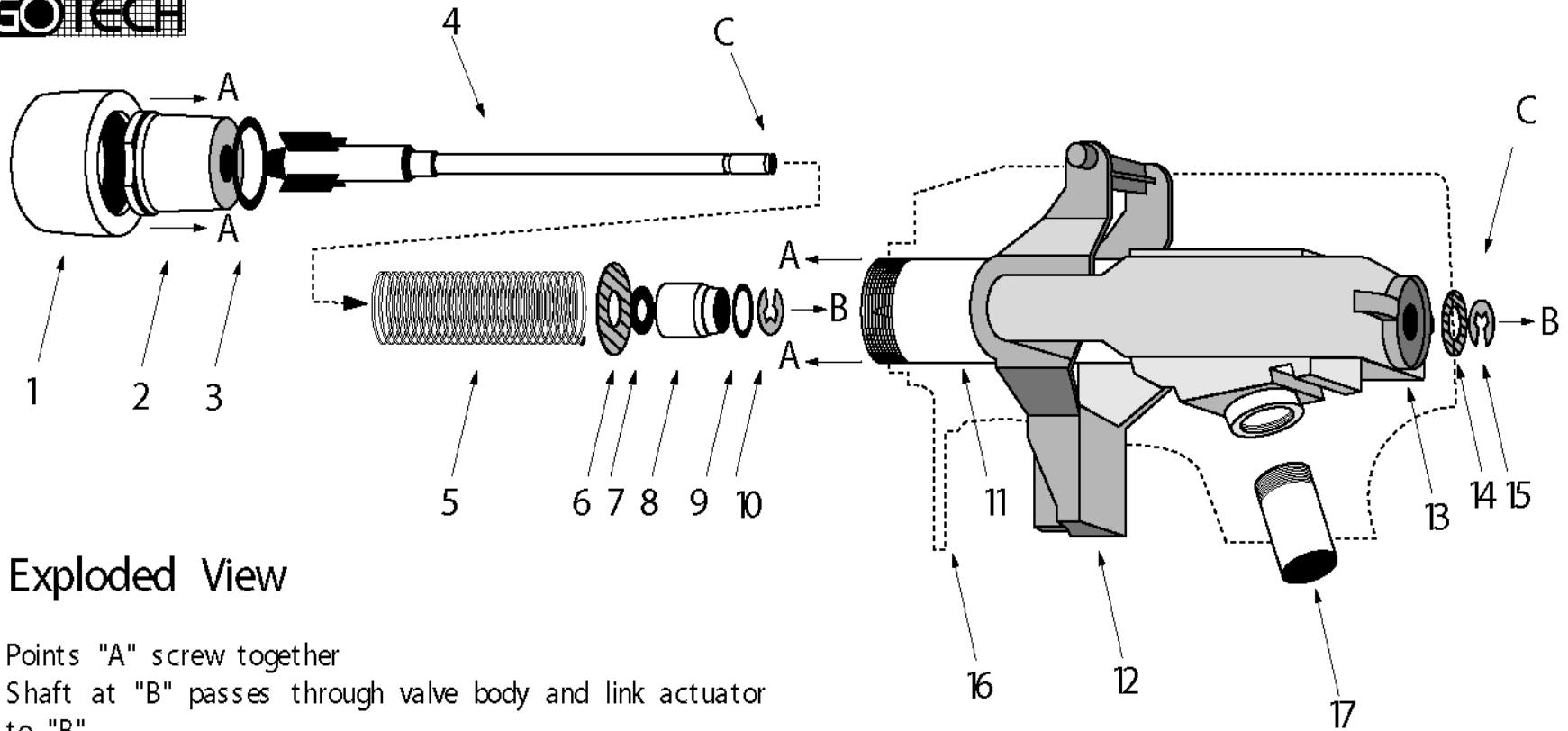


ERGOTECH



Exploded View

Points "A" screw together

Shaft at "B" passes through valve body and link actuator to "B"

- | | |
|----------------------------|-------------------|
| 1- Nozzle Shroud | 10- "E" Ring |
| 2- Nozzle Adaptor | 11- Valve Body |
| 3- Nozzle Adaptor "O" Ring | 12- Trigger |
| 4- Valve Stem | 13- Link Actuator |
| 5- Stainless Steel Spring | 14- Washer |
| 6- Rear Thrust Washer | 15- "E" Ring |
| 7- "O" Ring | 16- Housing |
| 8- Shaft Bushing | 17- Inlet Pipe |
| 9- Shaft Bushing "O" Ring | |

Repair Kit "RK-800-A" contains parts 1 - 3

Repair Kit "RK-800-B" contains parts 1 - 10 and 13 - 16

WaterBoss 
Model # 800-3/8-L

Lilly Engineering Company, Inc.
P.O. Box 173, 217 Catalpa Street
Itasca, Illinois 60143-0173
630-773-2222 Fax: 630-773-3443